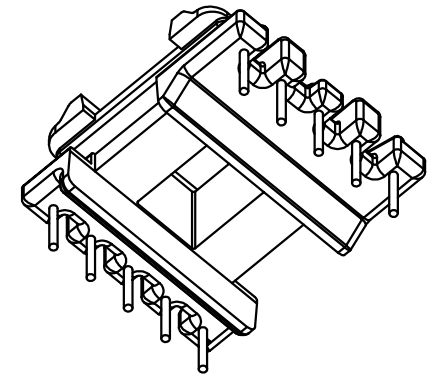
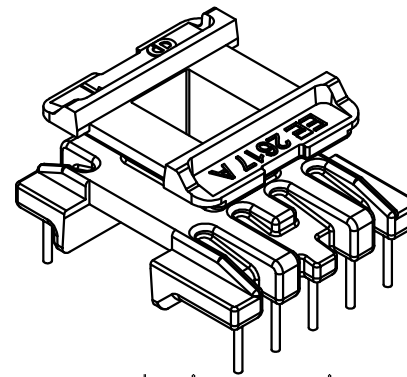
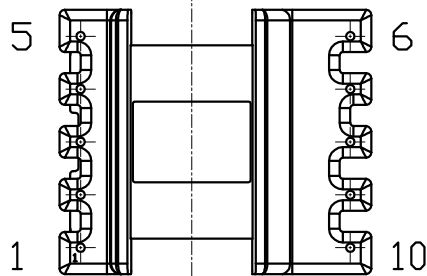
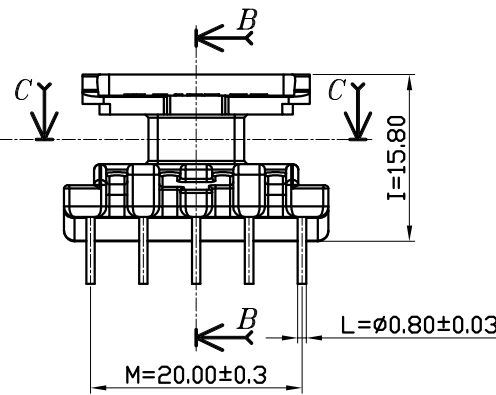
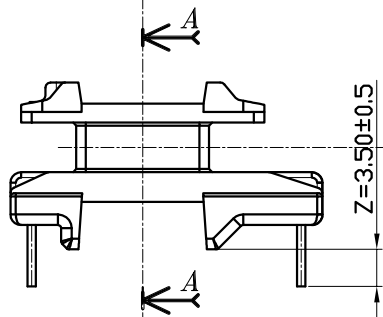


SECTION A-A

SECTION B-B

SECTION C-C



Isometric veiw

▲							
▲							
▲							
▲							
MARK	REVISION NOTE			DATE	DRAWN	CHECKED	APPROVED
	DRAWN	CHECKED	APPROVED	MATERIAL : PHENOL	UL REC. : UL94V-0	THIRD ANGLE PROJ.	SCALE : 1/1
	DM ,Choe	GY, Lim	JB, Lim	Z : PIN LENGTH (According to customer's request)	DATE : 2010.12.08	TOLERANCE :±0.2 (Unless otherwise specified)	UNIT : m/m
	주식회사 대흥보빈 DAE HEUNG BOBBIN CO., LTD			TITLE EE 26*17 (10P) "V" (A)		DWG NO DH-110111-2083-00	